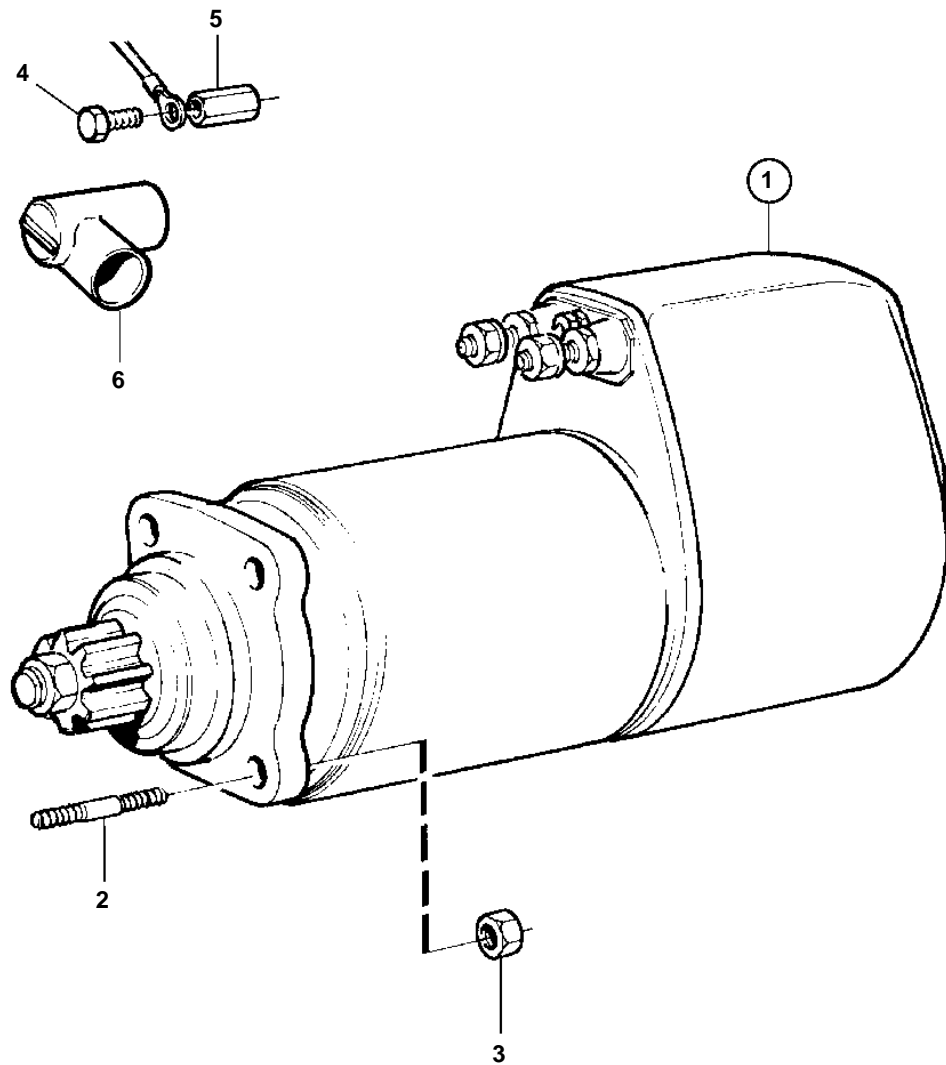


TAMD71B, TAMD73WJ-A, TAMD73P-A



18235

TAMD71B, TAMD73WJ-A, TAMD73P-A

REF	PART NO.	QTY	DESCRIPTION	SEE SEC.	NOTES
1	847306	1	Starter motor		12V, E.U=3803081
				440	
	847307	1	Starter motor		24V, E.U=3803079
				727	
2	953069	3	Stud		
3	971095	3	Nut		
4	946670	2	Flange screw		
5	857180	2	Nut		
6	855798	2	Protecting sleeve		